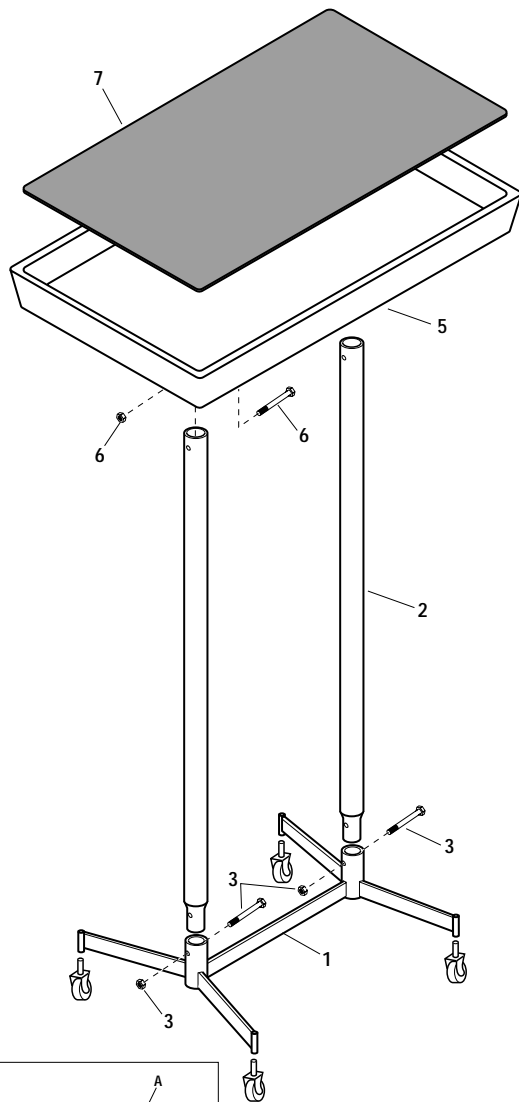
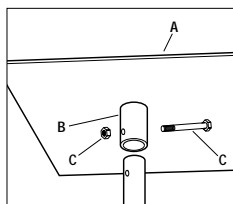


Assembly Instructions 4600 Parts Caddy



Refer to illustration at left. *NOTE: The unit you are assembling may look slightly different than the illustration.*

1. Identify posts for stand (items 2).
2. Slide end of post (2) onto base (1). Secure with screws and nuts (3)..
3. Slide sleeves on under side of tray assembly onto top of stand. Secure with screws and nuts (C on detail 1).
4. Install neoprene liner (item 7) in tray.



-Detail 1-
Assembling tray
to post.



Workplace Solutions

P.O. Box 26 • 600 South Clark St.
Mayville, WI 53050
Phone: 920-387-4120
Fax: 920-387-4189